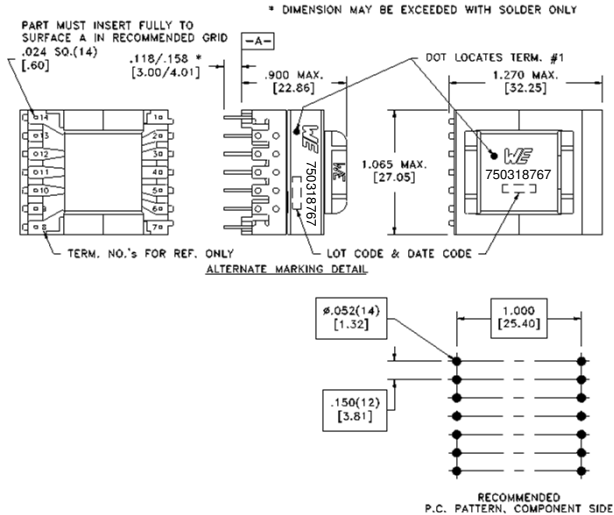
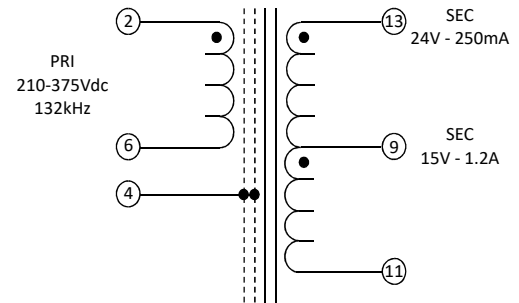


CUSTOMER TERMINAL	RoHS	LEAD(Pb)--FREE
Sn 96%, Ag 4%	Yes	Yes



ELECTRICAL SPECIFICATIONS @ 25° C unless otherwise noted:

PARAMETER	TEST CONDITIONS	VALUE
D.C. RESISTANCE	2-6 @20°C	1.55 ohms ±10%
D.C. RESISTANCE	9-11 @20°C	0.029 ohms ±10%
D.C. RESISTANCE	13-11 @20°C	0.090 ohms ±10%
INDUCTANCE	2-6 10kHz, 100mV, Ls	1.33mH ±10%
SATURATION CURRENT	2-6 20% rolloff from initial	1.1A
LEAKAGE INDUCTANCE	2-6 tie(9+11+13), 100kHz, 100mV, Ls	32µH typ., 60µH max.
DIELECTRIC	2-13 tie(4+6), 3750VAC, 1 second	3000VAC, 1 minute
URNS RATIO	(2-6):(9-11)	8.6:1, ±1%
URNS RATIO	(2-6):(13-11)	5.38:1, ±1%



GENERAL SPECIFICATIONS:

OPERATING TEMPERATURE RANGE: -40°C to +125°C including temp rise.
 Designed to comply with the following requirements as defined by IEC60950-1, EN60950-1, UL60950-1/CSA60950-1 and AS/NZS60950.1:
 - Reinforced insulation for a primary circuit at a working voltage of 265Vrms, 400Vpeak, OVC II, Pollution Degree 2.

Wire insulation & RoHS status not affected by wire color. Wire insulation color may vary depending on availability.

DFM	SP	Packaging Specifications Method: Tray PKG-0737		Tolerances unless otherwise specified: Angles: ±1° Decimals: ±.005 [.13] Fractions: ±1/64 Footprint: ±.001 [.03]	DRAWING TITLE TRANSFORMER	PART NO. 750318767
DATE	10/7/2019			This drawing is dual dimensioned. Dimensions in brackets are in millimeters.		SPECIFICATION SHEET 1 OF 1
ENG	KLM	www.we-online.com/midcom				
REV.	00					
DATE	10/21/2019					