

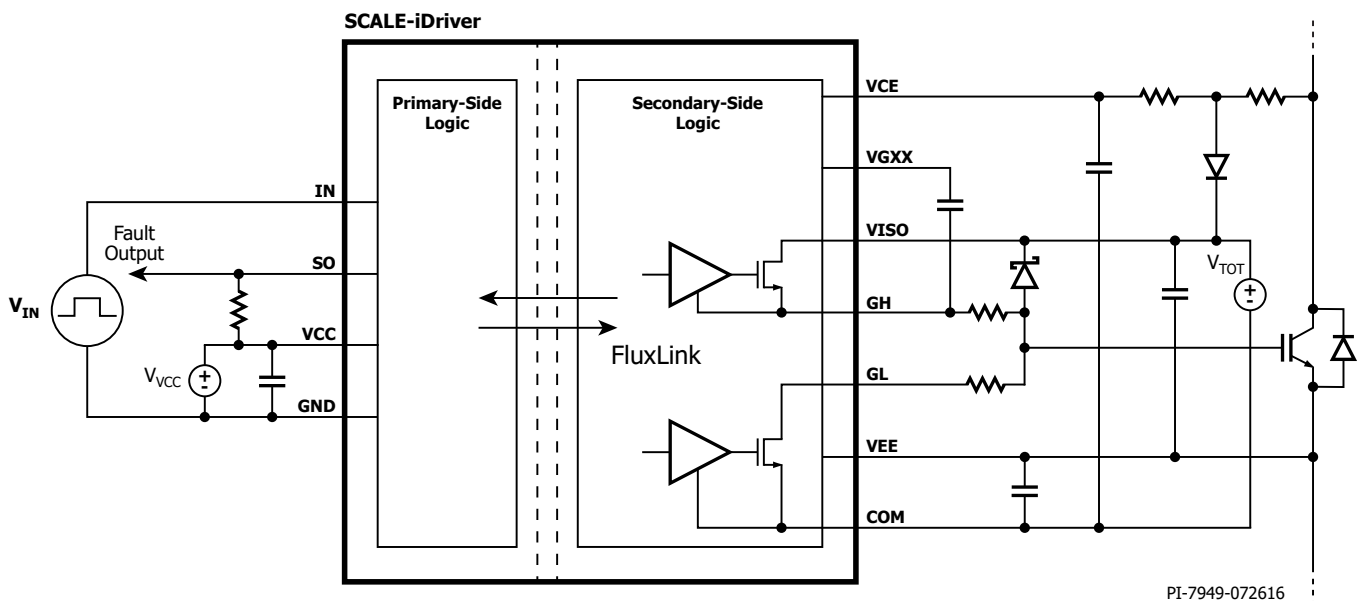
SCALE-iDriver™



Key Features

- FluxLink™ galvanic isolation meets AEC-Q100
- Drives 650 V, 750 V and 1200 V automotive IGBT and SiC-MOSFET modules
- 1200 V reinforced isolation up to 5000 m
- 9.5 mm creepage and low profile 2.67 mm packaging
- Bi-directional communication

Single-Channel IGBT / MOSFET Gate Driver with Reinforced Isolation

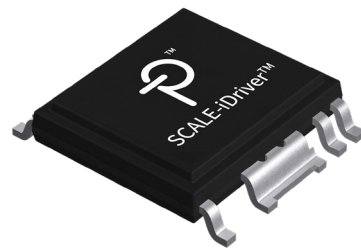


Applications

- Electric vehicle power trains
 - High reliability drivers and inverters
 - Electric vehicle on-board chargers and charger stations
-

Output Power

Part Number	Peak Output Current (A)
SID1132KQ	2.5
SID1182KQ	8.0



eSOP-R16B Package

Design Support

- Data Sheet: SCALE-iDriver data sheet (SID11x2KQ) (<http://bit.ly/2A0QV3g>)
- Application Note: Controlling SiC MOSFET power switches with SCALE-2 and SCALE-2+ gate driver cores and SCALE-iDriver gate driver ICs (AN-1601) (<http://bit.ly/2NuJZ1H>)
- Video: Introduction to SCALE-iDriver (<http://bit.ly/2OQaymP>)
- ECAD Models: Download symbol, footprint, and 3D models (<http://bit.ly/2OOIT5N>)