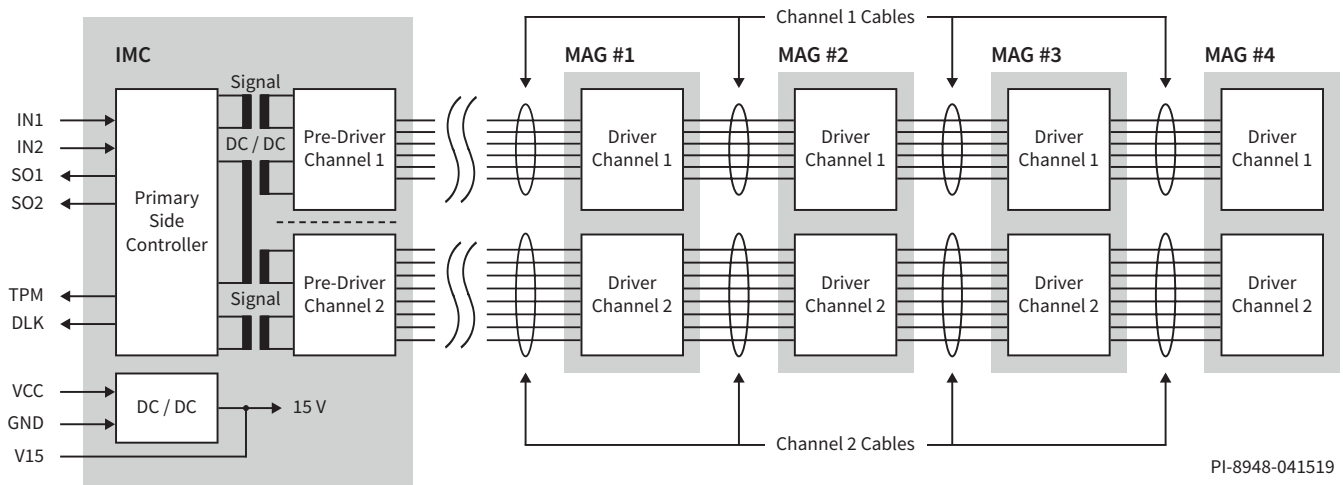


SCALE-iFlex™ Plug-and-Play Gate Driver

- Optimized for paralleling up to four power modules
- Electrical or fiberoptic interface with reinforced isolation
- +15 V to +48 V input supply voltage
- NTC temperature sensing
- DC-link voltage measurement (up to 3300 V)

Full Galvanic Reinforced Isolation Gate Driver for 1700 V and 3300 V High-Power Dual IGBT Modules



PI-8948-041519

IMC: Isolated Master Control
MAG: Module-Adapted Gate Driver

Applications

- Wind power inverters
- Photovoltaic inverters
- Railway main and auxiliary inverters
- Industrial motor drives
- Other industrial applications

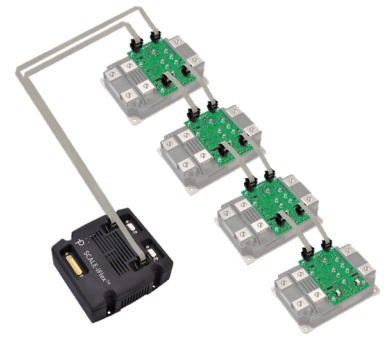
Certifications

- Reinforced isolation in accordance with EN-50124-1, IEC 61800-5-1 and UL 61800-5-1

Product Details

Isolated Master Control (IMC) Parameter	Min	Max	Unit
Primary-side supply voltage (V_{VCC})		50.4	V
Switching frequency (f_s)		25	kHz
Gate output power per channel ($P_{IMC(GX)}$)		4	W
Common-mode transient immunity		50	kV/ μ s
Test voltage primary to secondary ($V_{ISO(PS)}$)	9100		VRMS
Test voltage secondary to secondary ($V_{ISO(SS)}$)	6700		VRMS

Module Adapted Gate Driver (MAG) Parameter	Min	Max	Unit
Gate output power per channel ($P_{MAG(X)}$)		1	W
Gate peak current ($I_{GATE(PK)}$)		20	A



Design Support

Data Sheet

SCALE-iFlex data sheet (www.power.com/scale-iflex-data-sheet)